

# BINDrill®

Bridge-Breaking System

## Series 8000

Large-frame BinDrill for wide range of vessels such as cement silos or coal bunkers

## Series 8100

Small-frame BinDrill for small bin sizes or low headroom areas.

## Bores through material in bridged or plugged bins and silos to restore full production - SAFELY.

What are poking and air-lancing costing you when your production and maintenance people are trying to break through a bridged bin? And, if they can't get it from the outside, can you afford to expose people to the safety issues associated with confined spaces? There is a cost effective alternative – the BinDrill from Pneumat Systems.

### ● **SAFE, NO CONFINED SPACE ENTRY**

The BinDrill is specially designed for safe bin drilling and bridge-breaking. Since BinDrills work from the roof of the vessel, personnel are not put in danger by being forced to enter a confined space.

### ● **VERSATILE**

The BinDrill breaks down into easily handled pieces so setting up and moving from bin to bin is quick and easy. Different models of BinDrills make it possible to "right-size" a system for your application. Depths up to 150' can be drilled. With proper mounting, drilling can even be done from the bottom of the bin or silo.

### ● **ALL HYDRAULIC POWER**

Our powerful all hydraulic equipment requires only a 415 Volt 3-phase electrical hook-up. With the precise power and control of hydraulics, the BinDrill works its way through even rock hard materials. The controls and hydraulic power unit can be shared with the BinWhip® Bin Cleaning System.

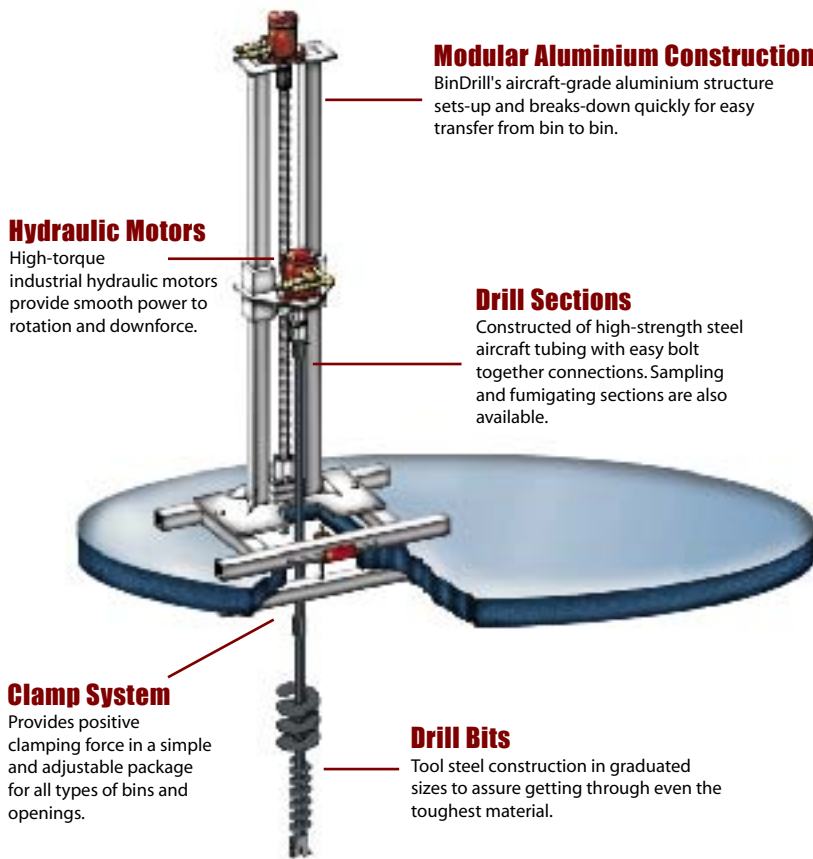
### ● **WORKS IN A VARIETY MATERIALS**

The BinDrill has applications in virtually all types of bulk materials that bridge or plug. Together with the BinWhip, it can restore 100% capacity and let you reclaim your valuable inventory. If the material is currently usable, there is no reason it won't be usable once the BinDrill and BinWhip knock it free.



- cement
- wood chips
- coal
- salt
- powder
- sand
- feed
- fly ash
- fertiliser
- hydrated lime
- soybean meal
- wheat meal

Safer  
Faster  
Easier



### Modular Aluminium Construction

BinDrill's aircraft-grade aluminium structure sets-up and breaks-down quickly for easy transfer from bin to bin.

### Hydraulic Motors

High-torque industrial hydraulic motors provide smooth power to rotation and downforce.

### Drill Sections

Constructed of high-strength steel aircraft tubing with easy bolt together connections. Sampling and fumigating sections are also available.

### Clamp System

Provides positive clamping force in a simple and adjustable package for all types of bins and openings.

### Drill Bits

Tool steel construction in graduated sizes to assure getting through even the toughest material.

## BinDrill Technology

The Pneumat BinDrill was originally developed to work in conjunction with the BinWhip when a vessel was completely blocked or bridged. Like the BinWhip it works from the top of the vessel, functioning like a mobile oil or well drilling rig. The operator simply adds rods as progress is made through even rock hard materials to create a flow channel. It is driven and controlled by the same hydraulic power unit and controls as the BinWhip so you have the same power and control at your fingertips. Once the BinDrill has created a large enough flow channel, the BinWhip can be lowered into the vessel to finish the job. The BinDrill is also capable of sampling and fumigating product with the addition of specially designed drill sections for each task.



### Hydraulic Power Unit

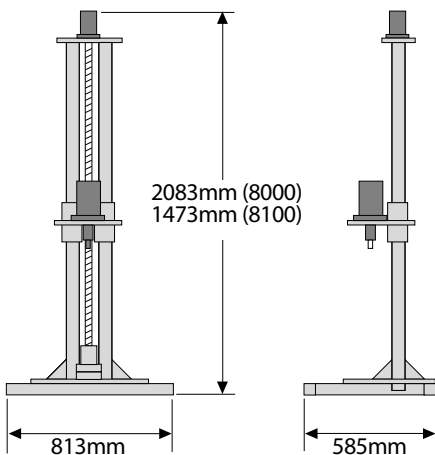
Explosion-proof 7.5 HP power unit is designed around the mobility of a 2-wheel hand truck. The high-efficiency industrial pump and portable controls give precise control over all functions of both the BinDrill and BinWhip.

Safer  
Faster  
Easier

## Specifications

### Bin Mount/Post Assembly

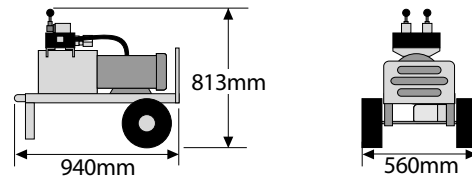
Series 8000 (52.16 kg) / Series 8100 (45.35 kg)



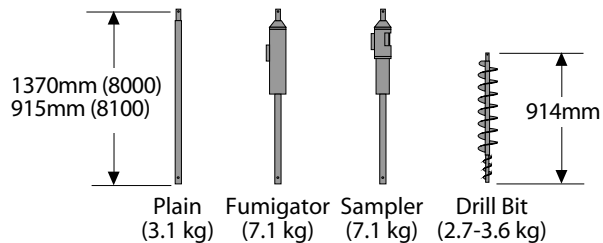
Electrical Requirements (All Models)  
415V (10A) 3-Phase

### Power Unit Assembly

All Models (131 kg w/Hyd. Fluid)



### Section Assemblies



### Pneumat Systems Europe, Ltd.

22 Bold Business Centre • Bold Lane  
Sutton • St. Helens • WA9 4TX • UK  
Phone: (44) (0)1925 290080 • Fax (44)(0)1925 290085  
E-mail: pneumat@btinternet.com

### Pneumat Systems, Inc.

55051 Gadwall Road • Mankato, MN 56001  
Phone: 507-345-4553 • Fax: 507-345-3639  
Toll Free: 800-458-9446 • E-mail: sales@pneumat.com  
Website: www.pneumat.com